



## Technical Data Sheet

### PB-C1 Coupler (Extender)

#### COMPONENTS

The PB-C1 is composed of 1 piece.

#### CHARACTERISTICS

Weight: 0,280 kg

Height: +85 mm to +120 mm

#### MATERIAL

Copolymer polypropylene (CPP)

Composition: +/- 80% first grade pre-selected recycled PPC, and +/- 20% Talc + Masterbatch black

Designed and manufactured in Europe.

Use of recycled materials exclusively of EU origin.

Resistant to weathering, sea salts, algae and a wide range of chemicals.

Temperature range: -30 °C to +80 °C.

#### PACKAGING

Pieces per carton: 24 pcs

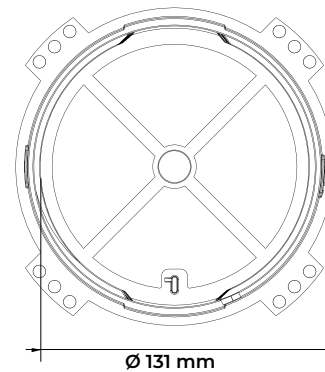
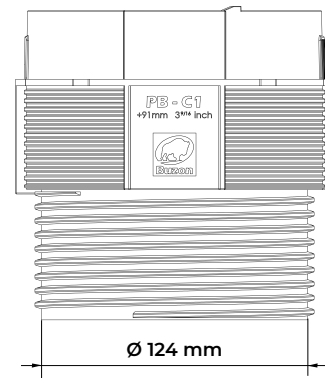
Carton weight: 7,82 kg

Carton dimension: 600 x 400 x 430 mm

Cartons per pallet: 25 pcs

Pieces per pallet: 600 pcs

Pallet dimensions: 100 x 120 x 220 cm



#### APPLICATIONS

The coupler PB-C1 is adjusted by screwing between the base and the head of the pedestal to make the «high-rise» pedestals in the PB range.

Accessories are available for applications with various outdoor finishes, such as granite stone pavers, composite / timber decking, ceramic tiles and fibreglass or metal grating panels.

#### SAFETY INSTRUCTIONS

Buzon pedestals and accessories are designed to support external raised floors for pedestrian traffic only and are not designed to support or be subjected to moving and/or vibrating machinery & equipment, including maintenance, cleaning vehicles, automobiles and other similar equipment.

