



Technical Data Sheet

U-TABS-4,5mm H17 U-Edge Spacer Tab

COMPONENTS

The U-TABS 4,5 mm H17 is composed of 1 piece.

CHARACTERISTICS

Weight: 0,001 kg

Height: 17mm

MATERIAL

Copolymer polypropylene (CPP)

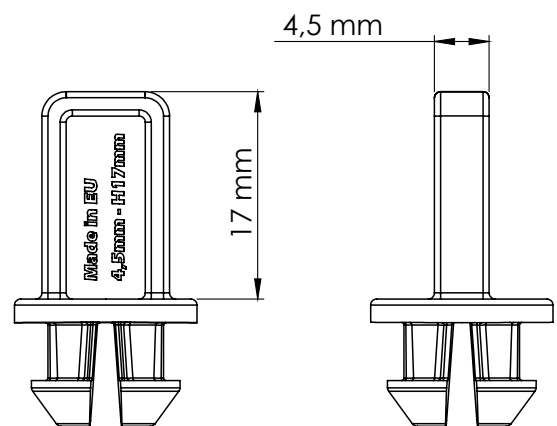
Composition: + / -80% first grade pre-selected recycled PPC, and + / -20% Talc + Masterbatch black

Designed and manufactured in Europe

Use of recycled materials exclusively of EU origin

Resistant to weathering, sea salts, algae and a wide range of chemicals

Temperature range : -30 °C to +80 °C



PACKAGING

Pieces per carton: 1200 pcs

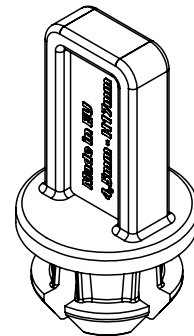
Carton weight: 1,57 kg

Carton dimension: 410 x 320 x 95 mm

Cartons per pallet: 180 pcs

Pieces per pallet: 216 000 pcs

Pallet dimensions: 100 x 120 x 220 cm



APPLICATIONS

The Spacer Tabs (U-Tabs) 4,5 mm wide can be used with the U-EDGE. By fixing these in the required location, they create a gap between the paving keeping the smaller cuts evenly spaced and holds them securely in place.

SAFETY INSTRUCTIONS

Buzon pedestals and accessories are designed to support external raised floors for pedestrian traffic only and are not designed to support or be subjected to moving and/or vibrating machinery & equipment, including maintenance, cleaning vehicles, automobiles and other similar equipment.

