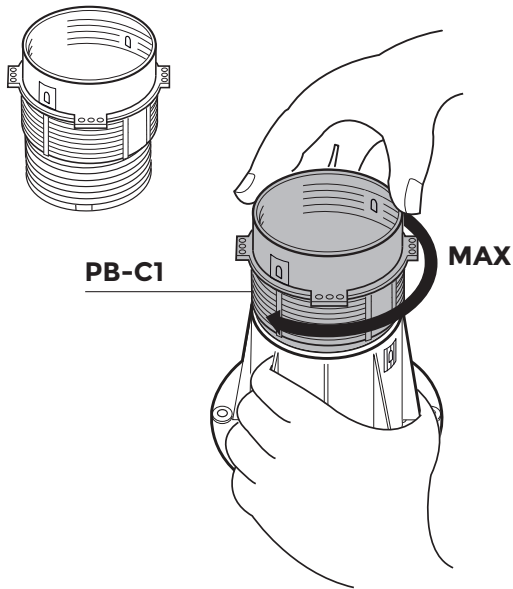
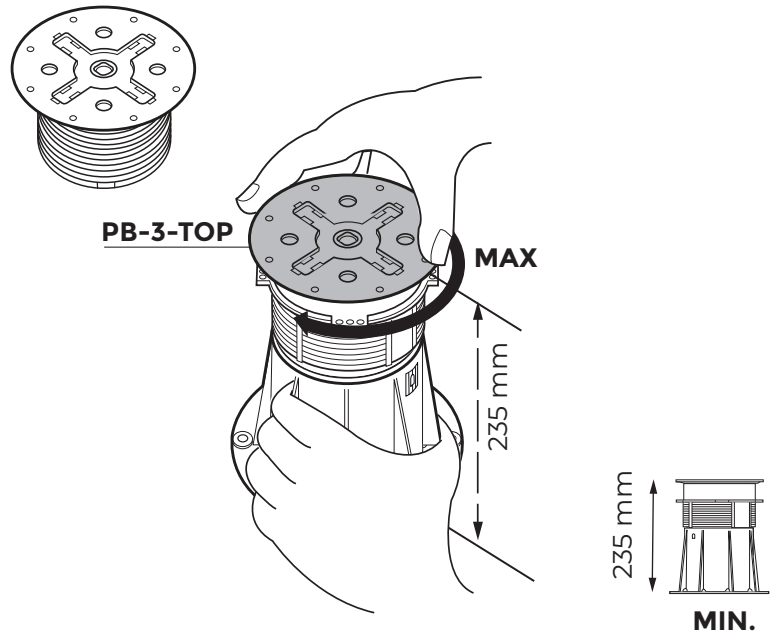


IN

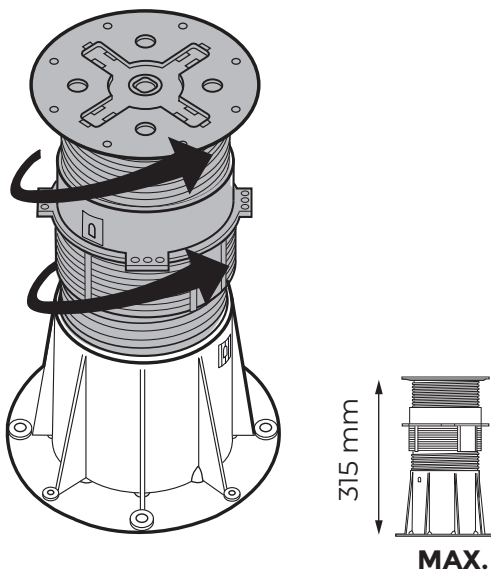
1



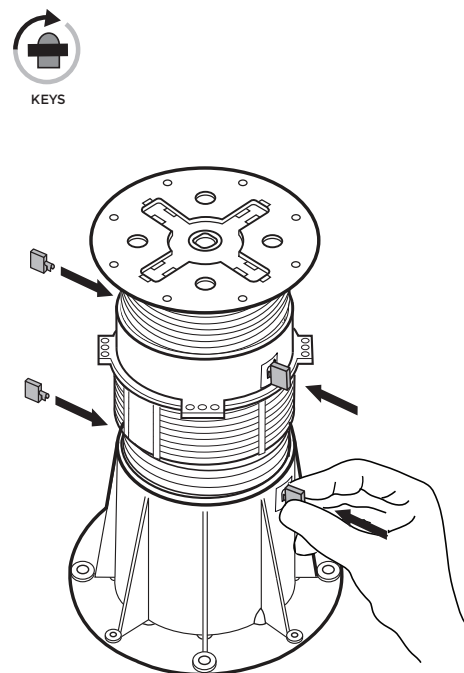
2

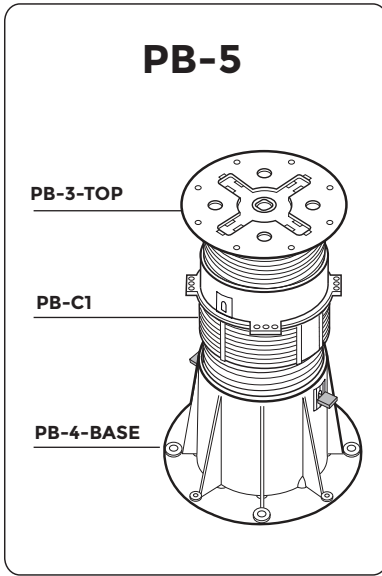


3



4





OUT

