

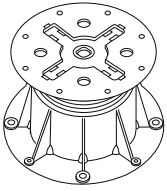


U-TOP-FLEX - Hexagonal tiles

PB-Series

p.1

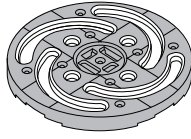
©copyright, 2021 BUZON PEDESTAL INTERNATIONAL



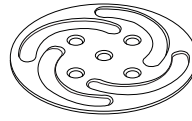
PB-Series



PB-KIT-8



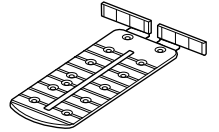
U-TOP-FLEX



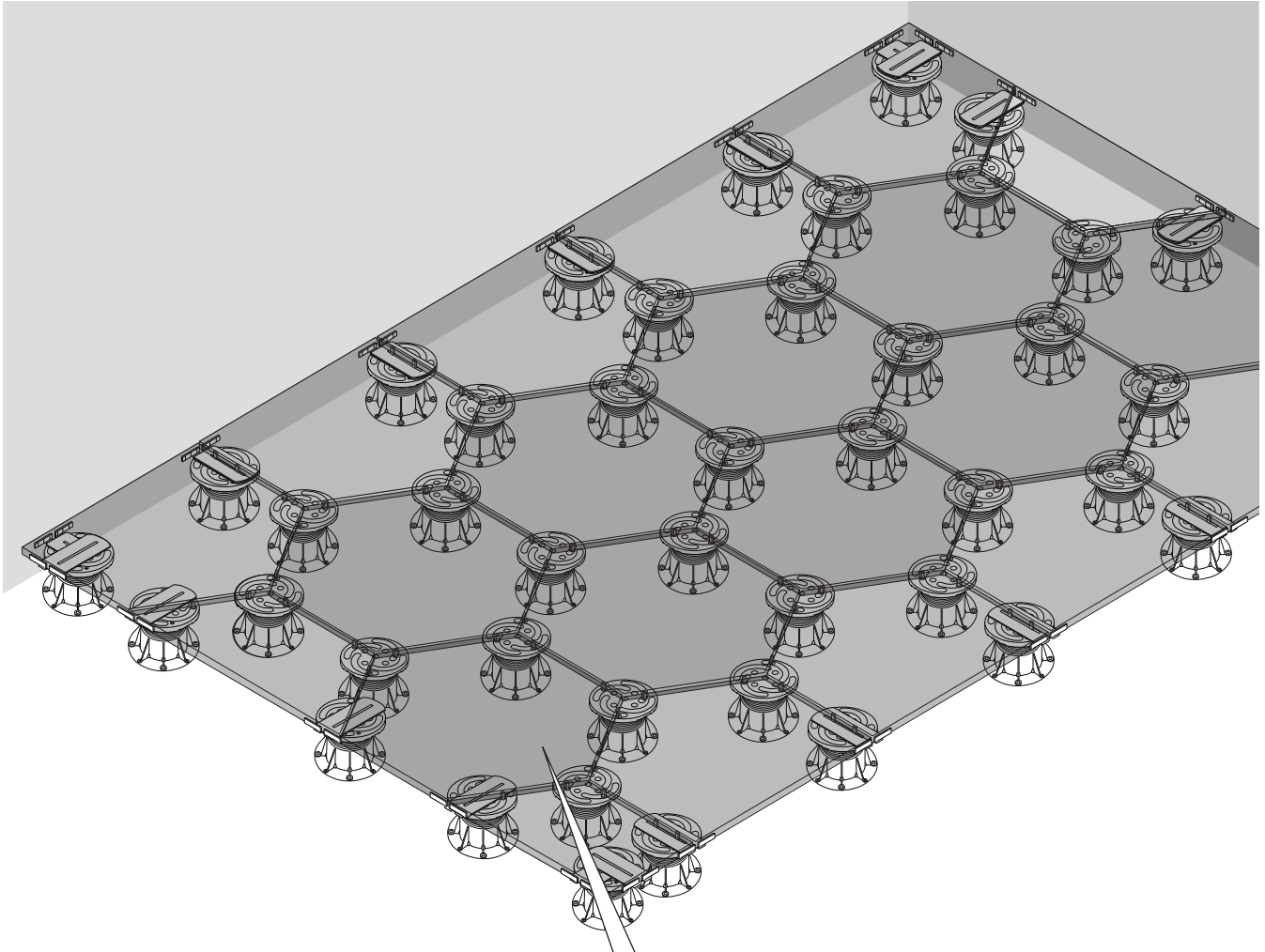
U-E20-FLEX



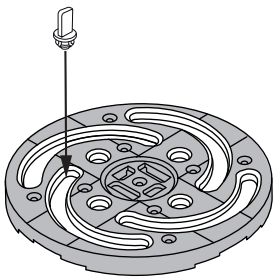
U-TABS



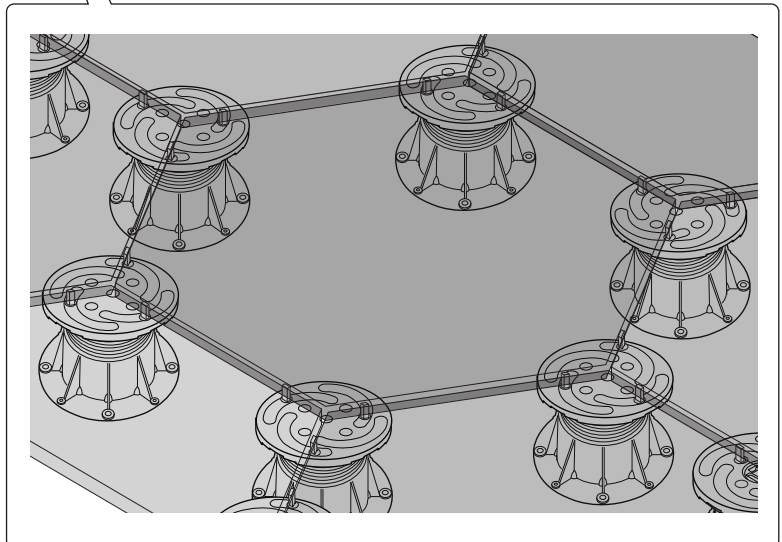
OPTION: U-WALL

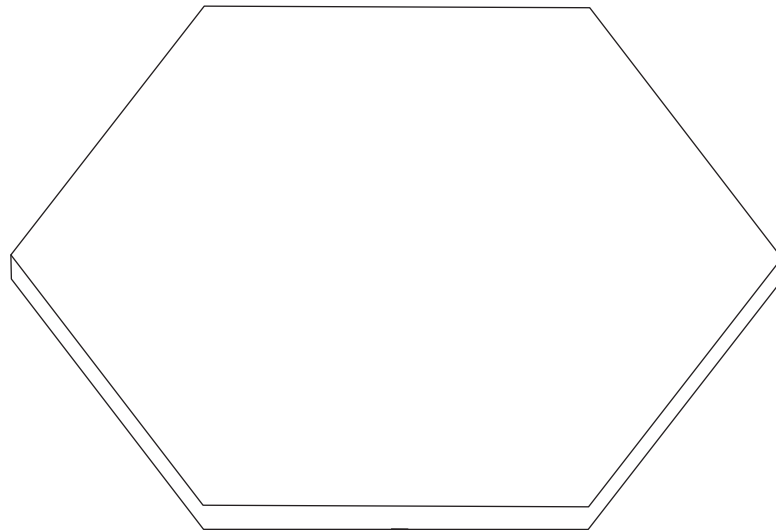


U-TABS



U-TOP-FLEX





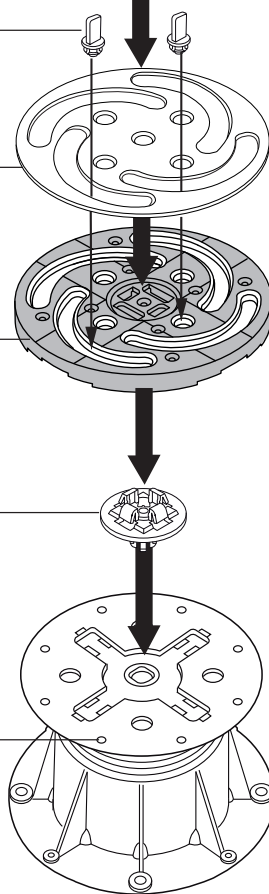
U-TABS

U-E20-FLEX

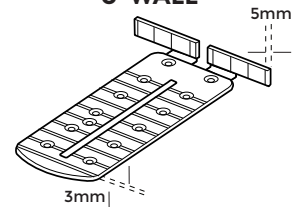
U-TOP-FLEX

PB-KIT-8

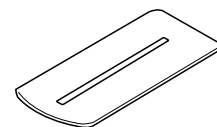
PB-Series



U-WALL

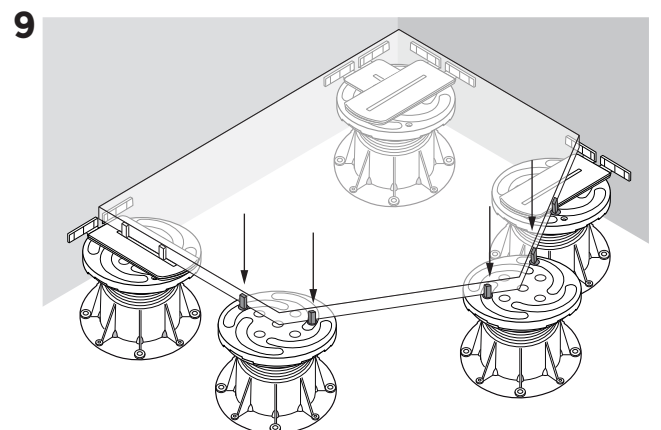
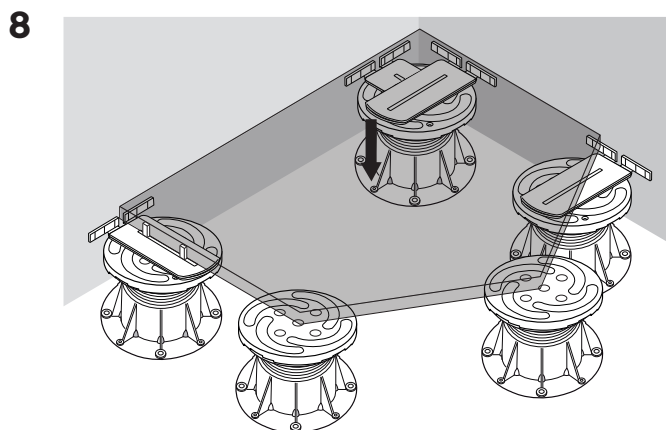
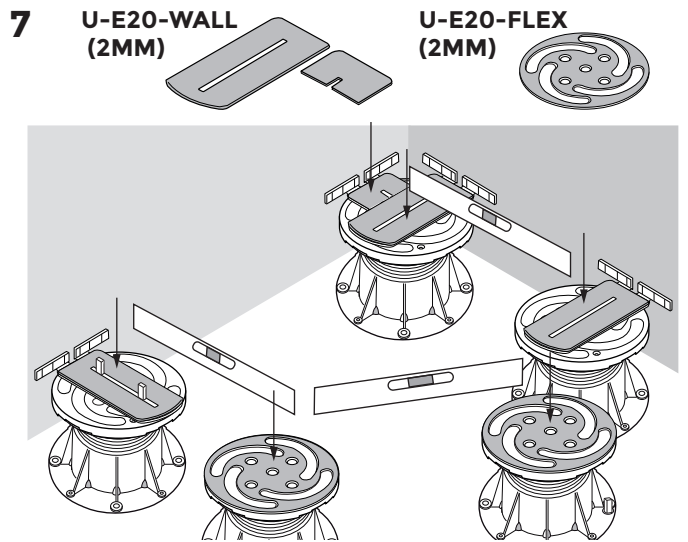
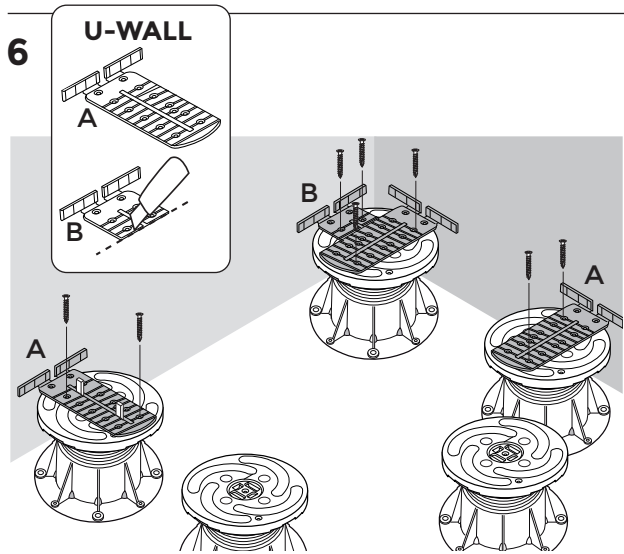
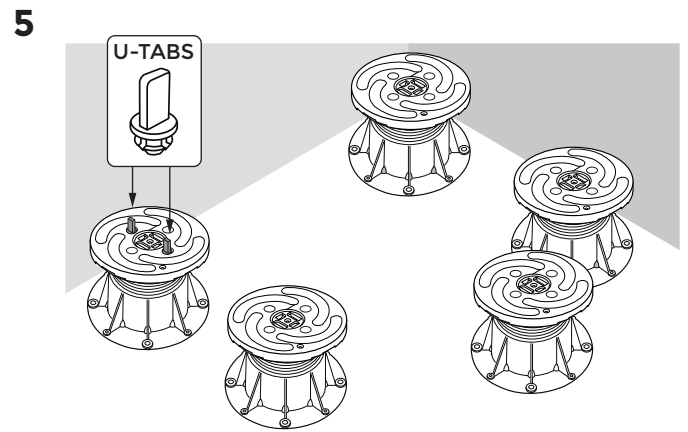
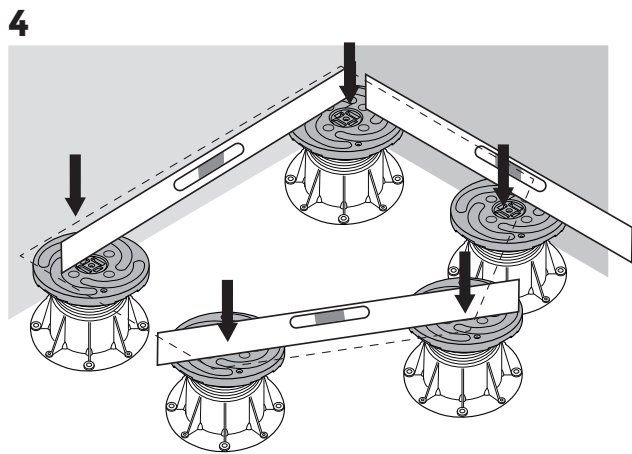
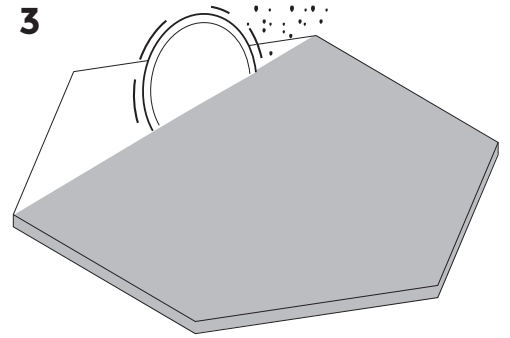
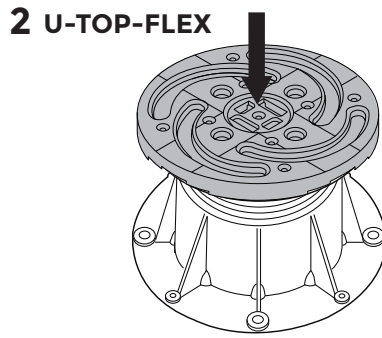
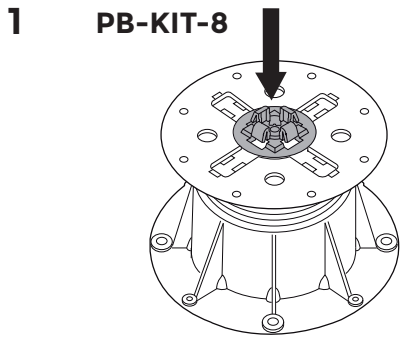


U-E20-WALL (2MM)

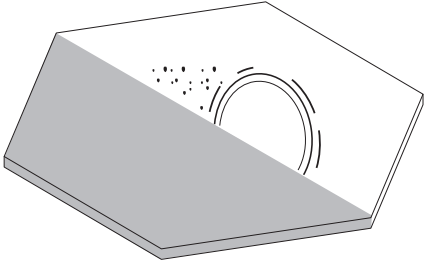


Flat head screw
 Ø 3,9 x 29mm
 (Screws not supplied by Buzon)

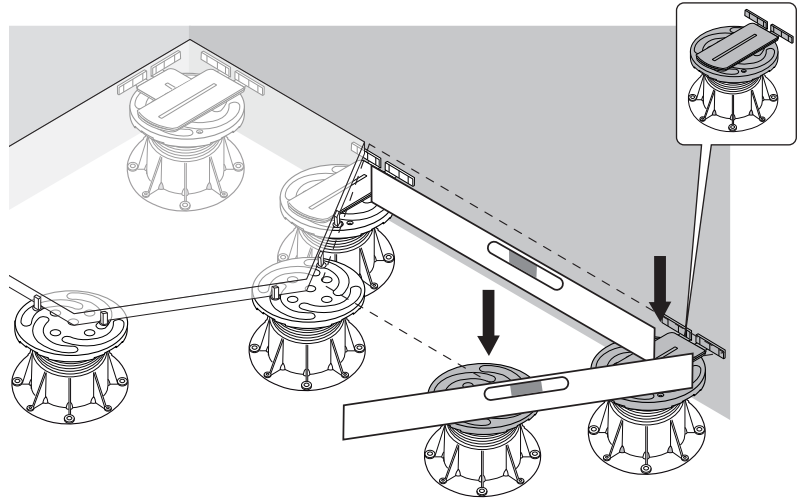




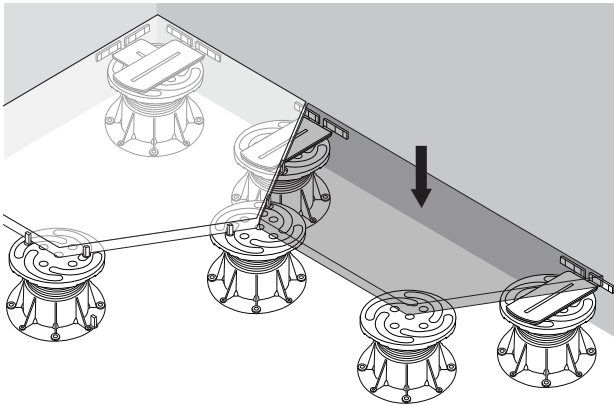
10



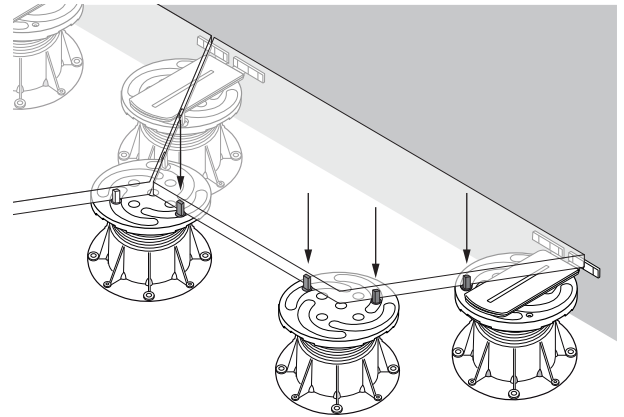
11



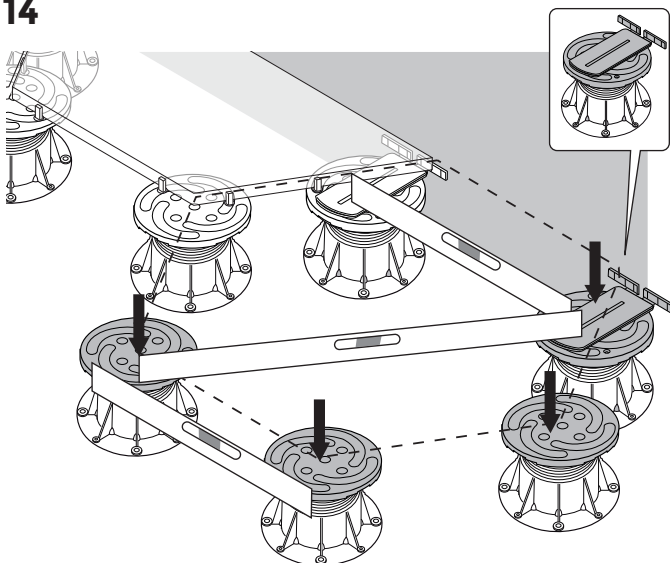
12



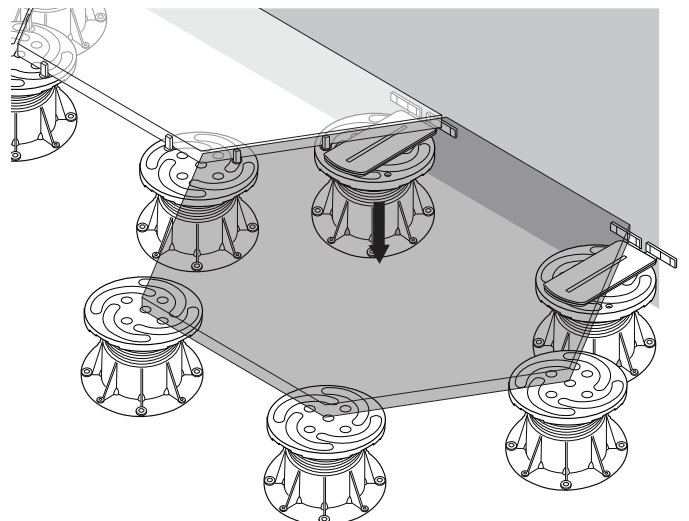
13

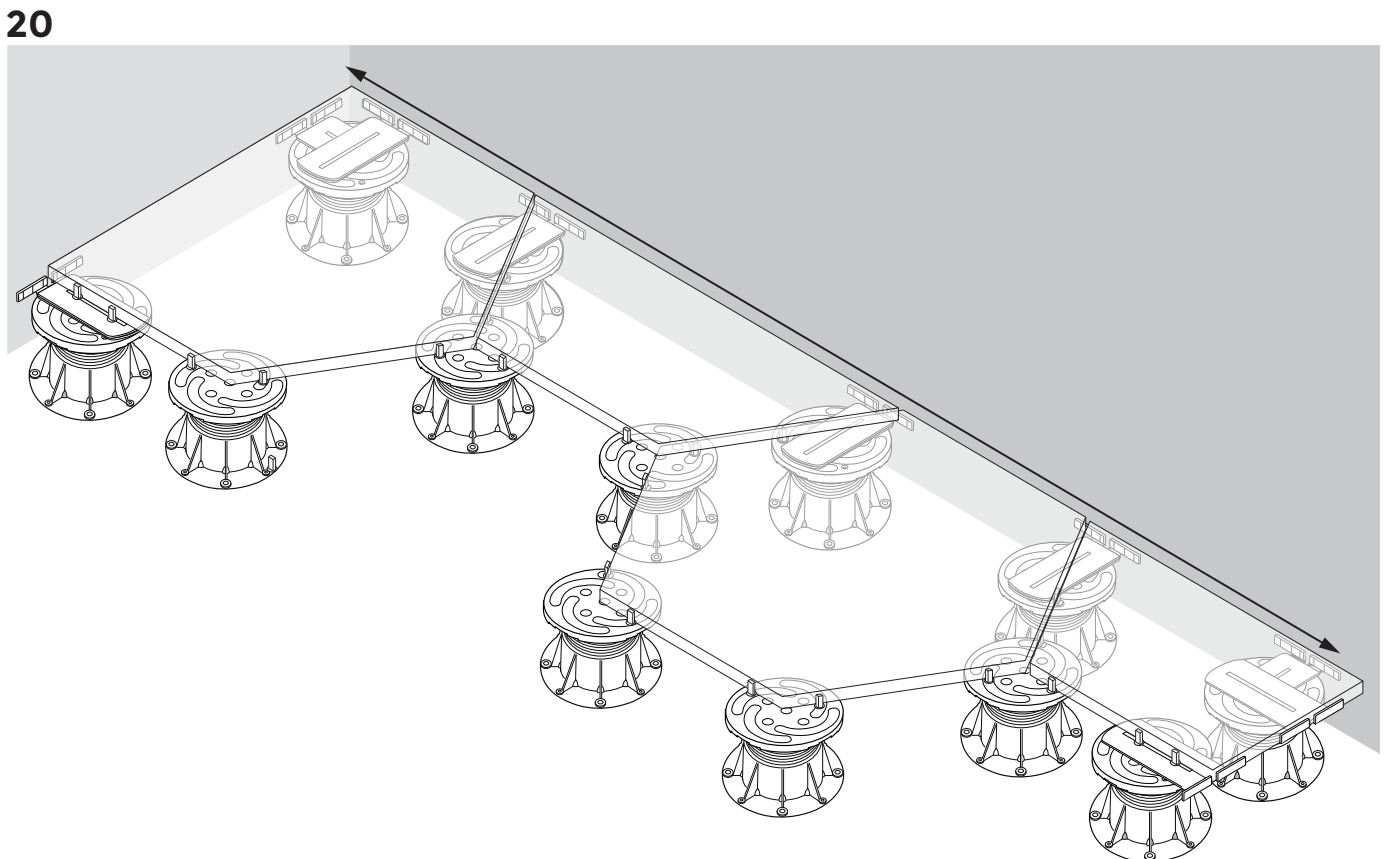
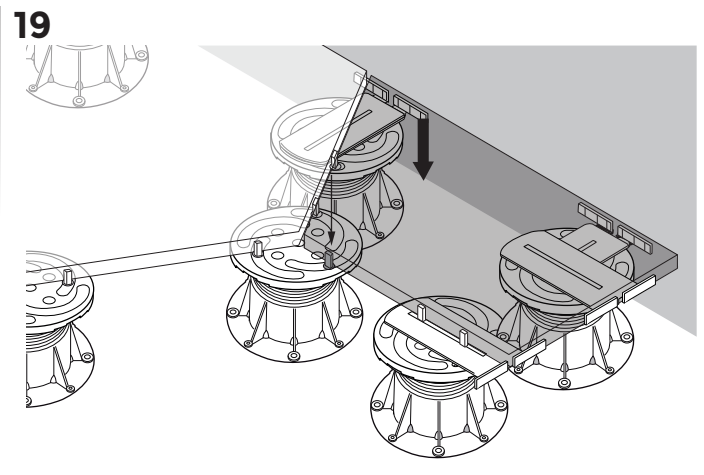
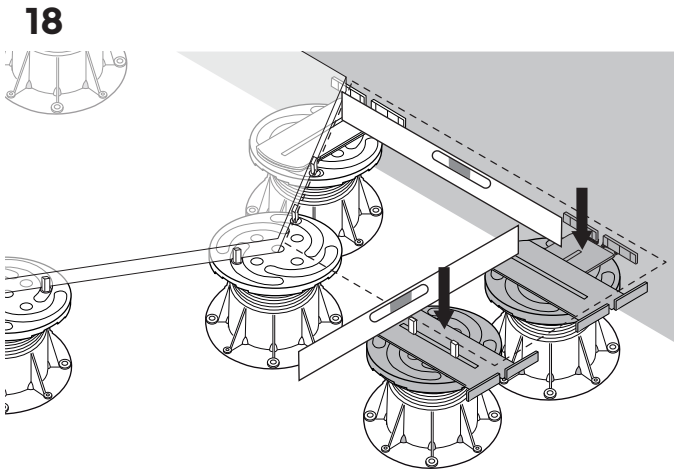
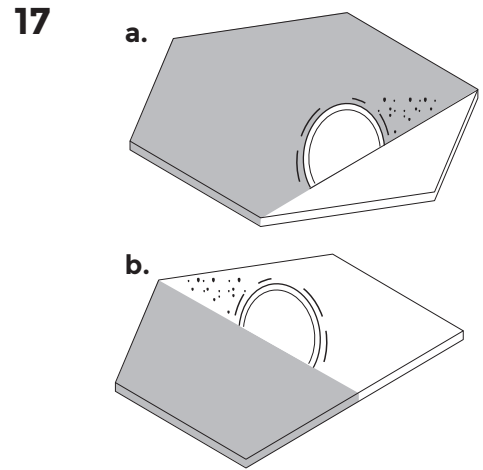
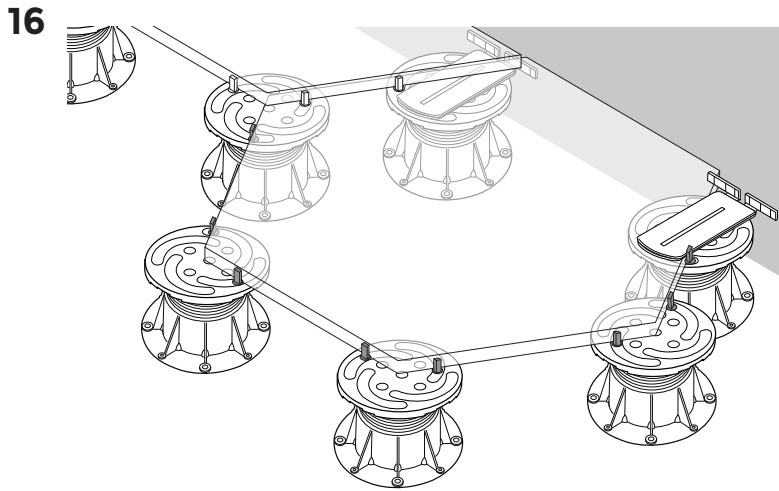


14

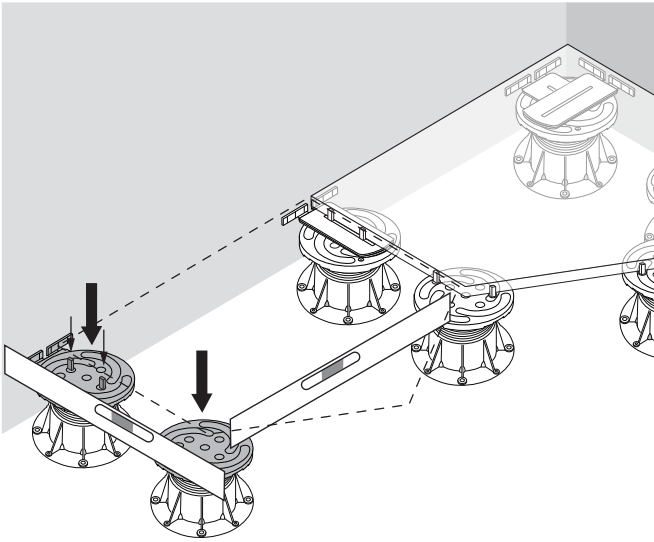


15

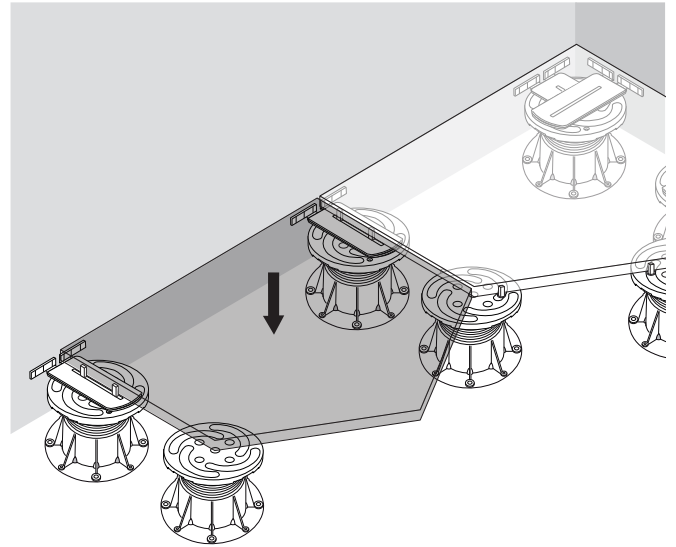




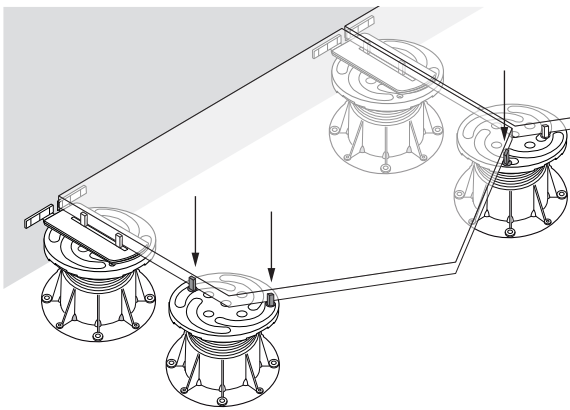
21



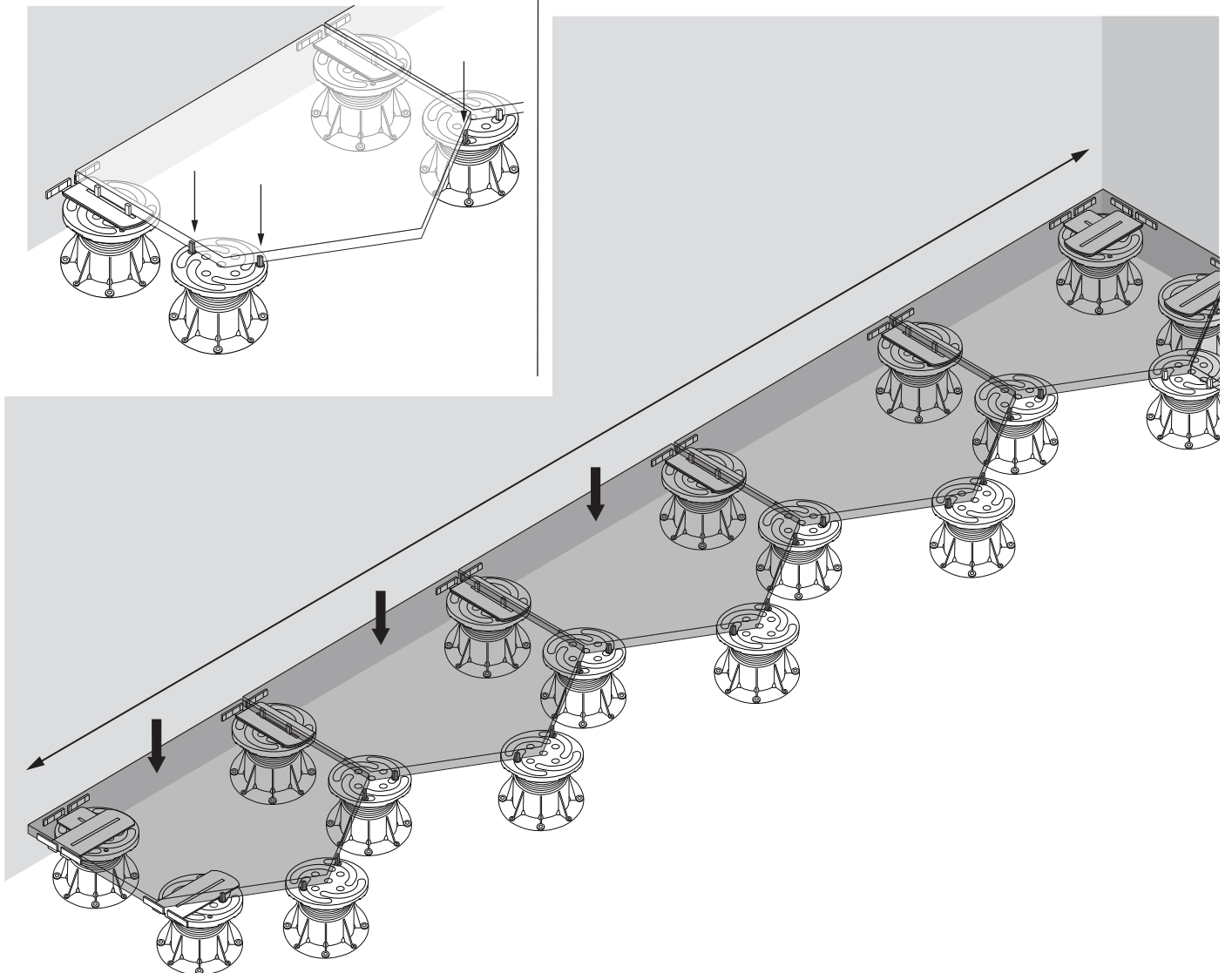
22



23



24



22

