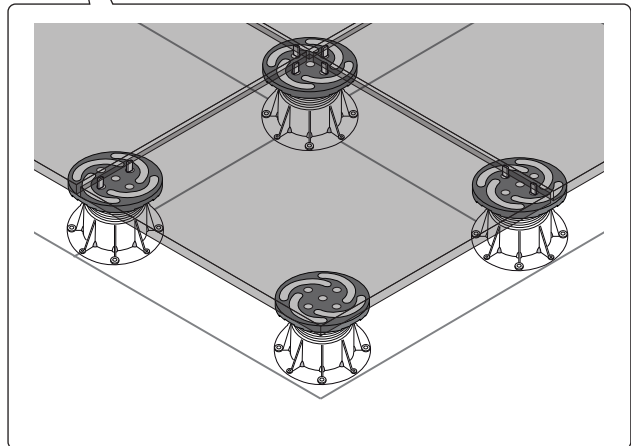
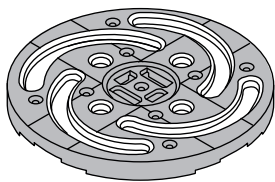
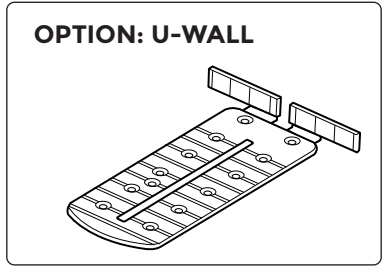
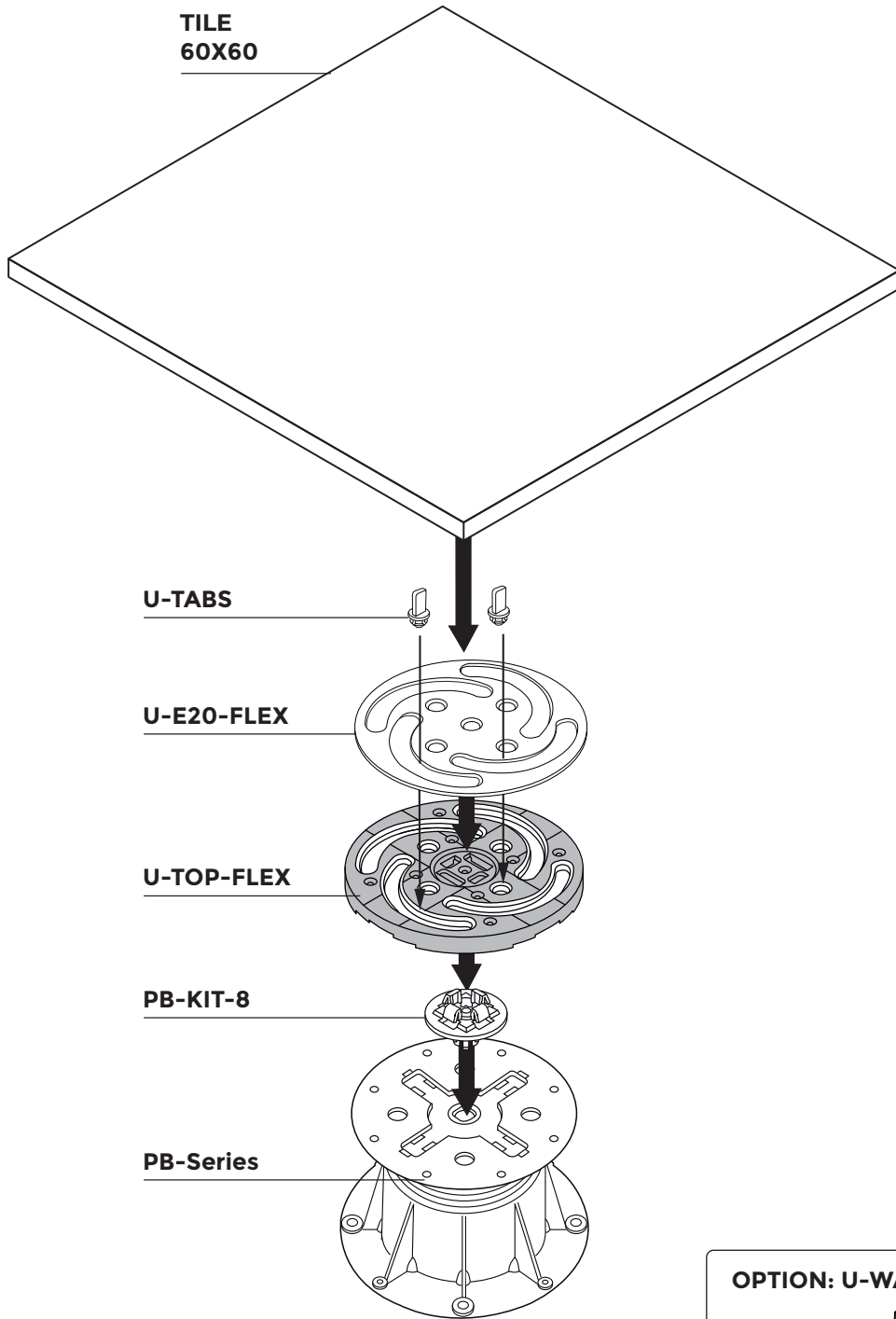


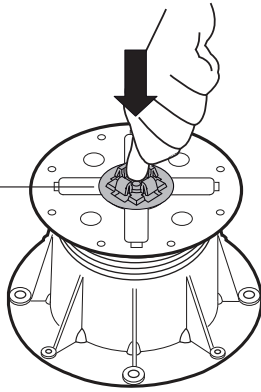
U-TOP-FLEX





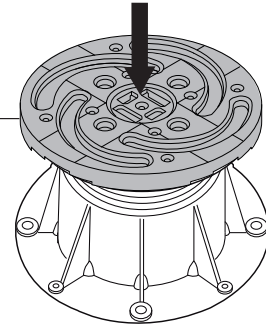
1

PB-KIT-8



2

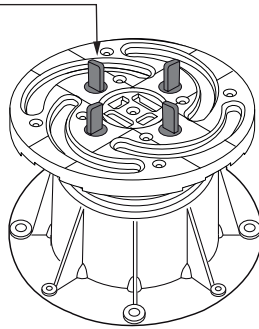
U-TOP-FLEX



3

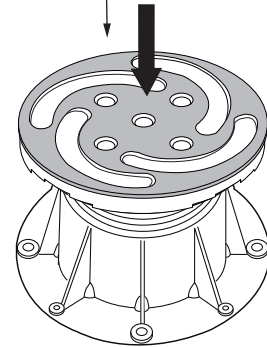
U-TABS

- A** U-TABS X0
- B** U-TABS X2
- C** U-TABS X4

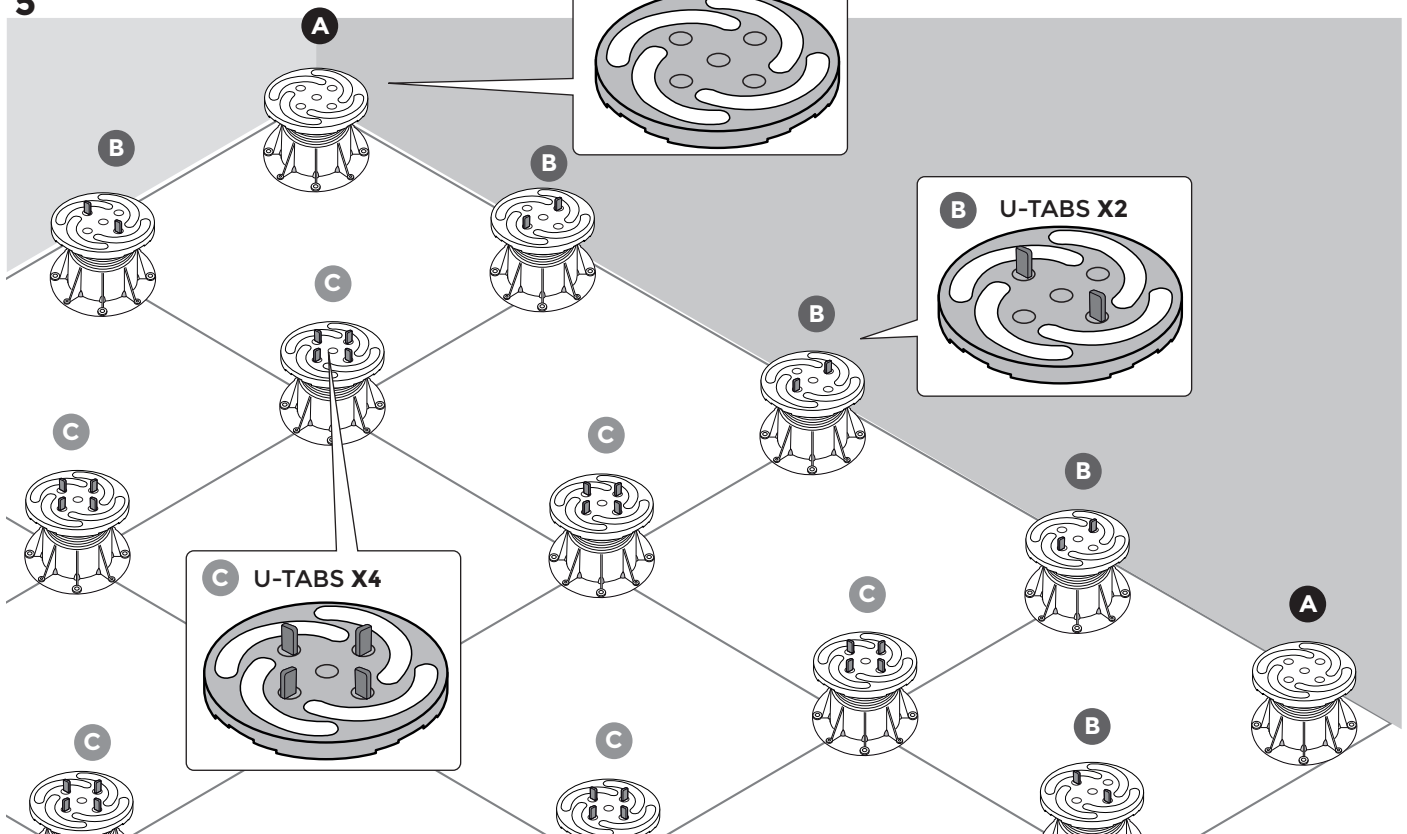
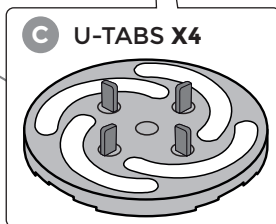
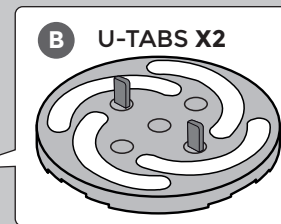
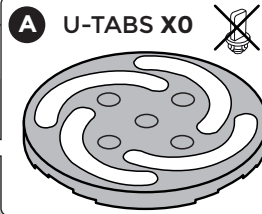


4

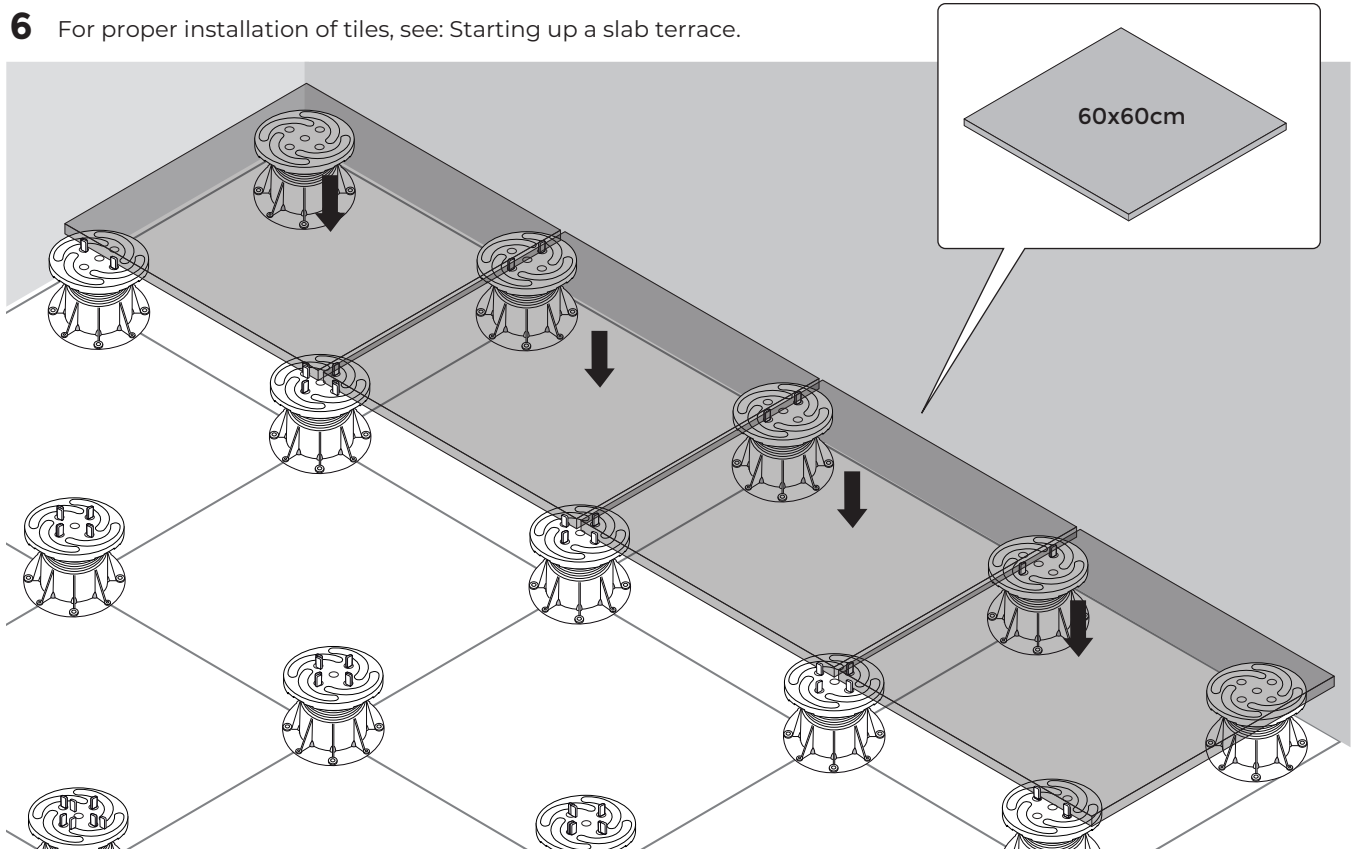
U-E20-FLEX



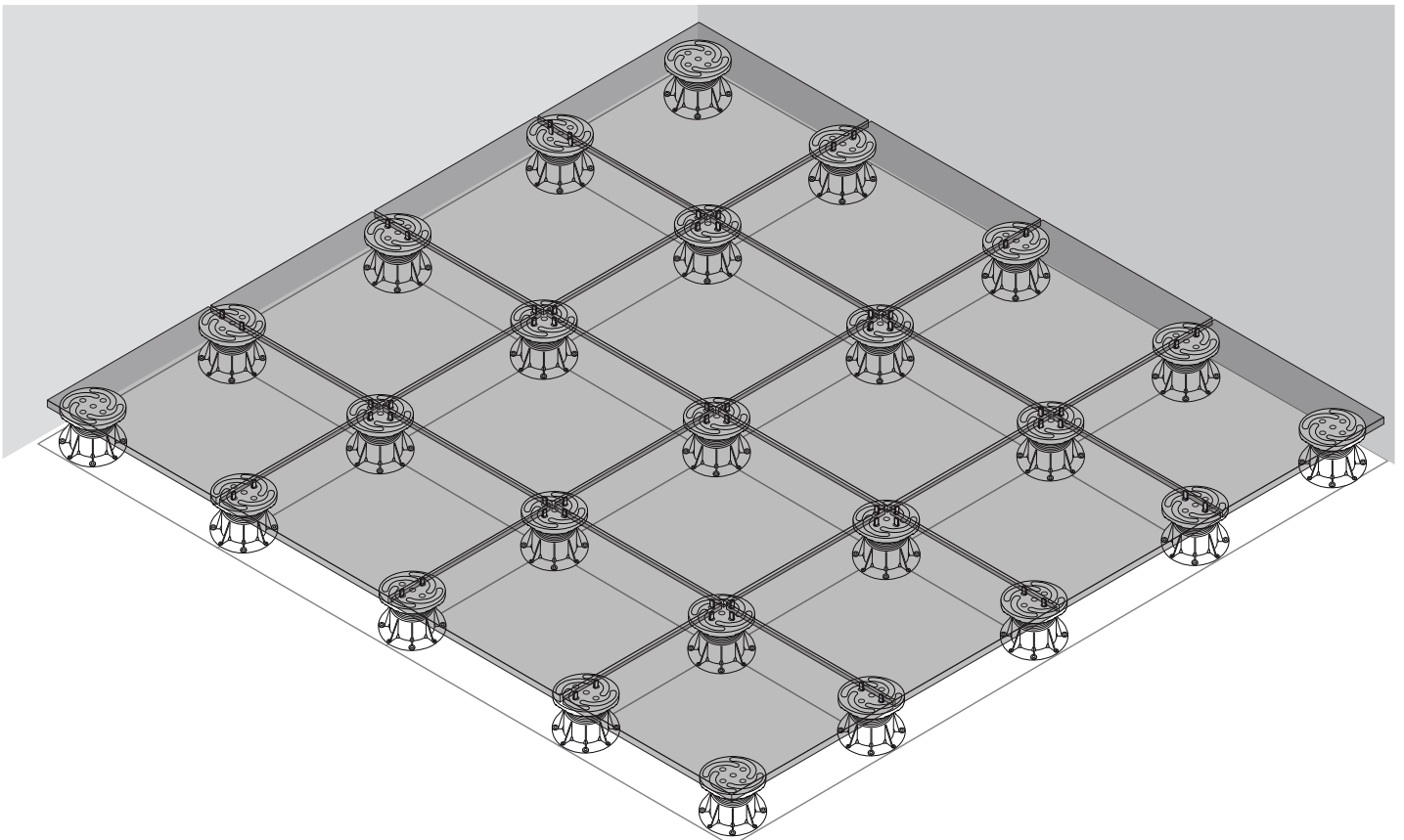
5

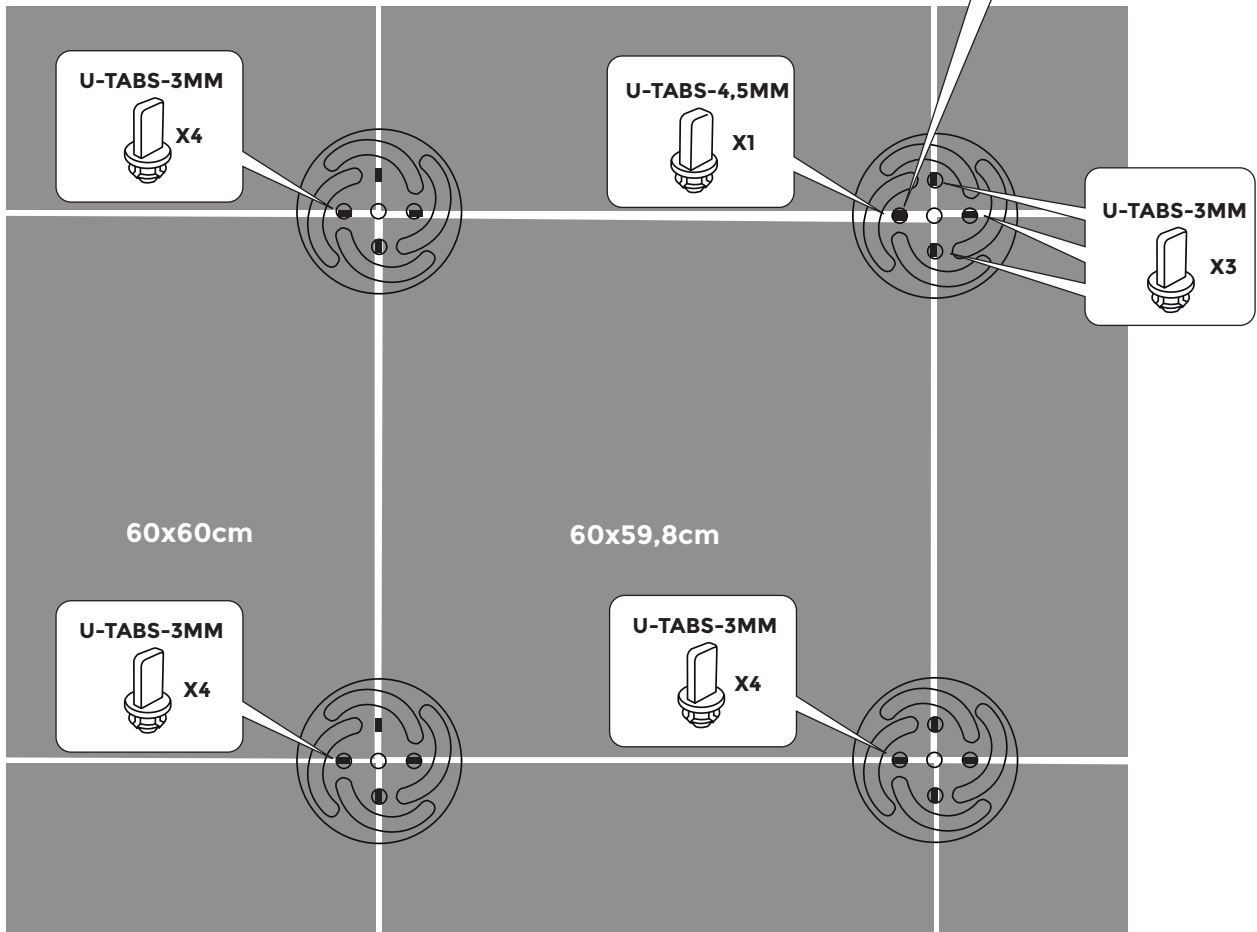
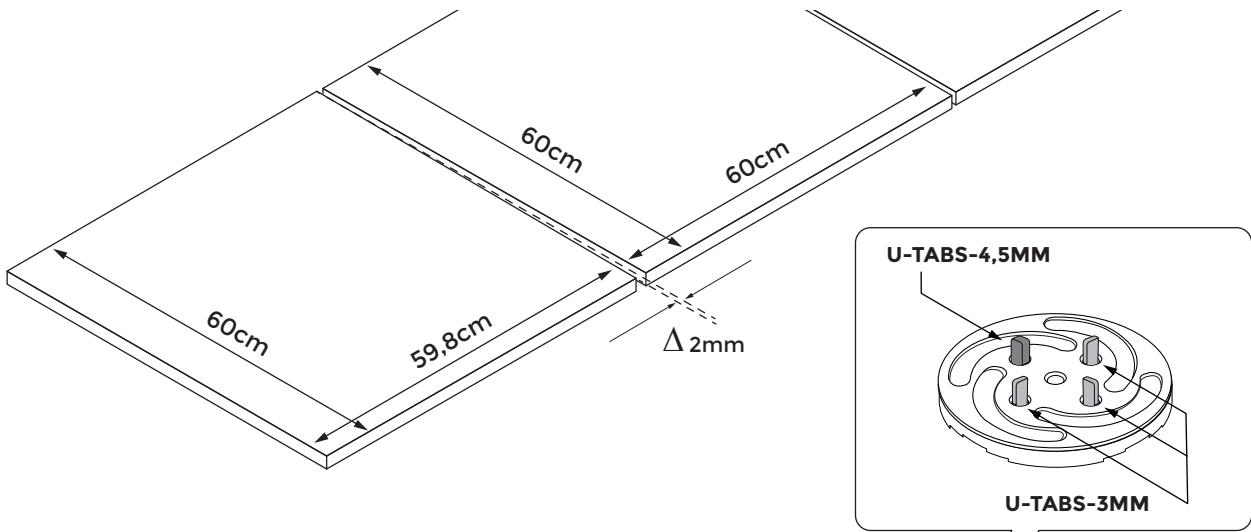


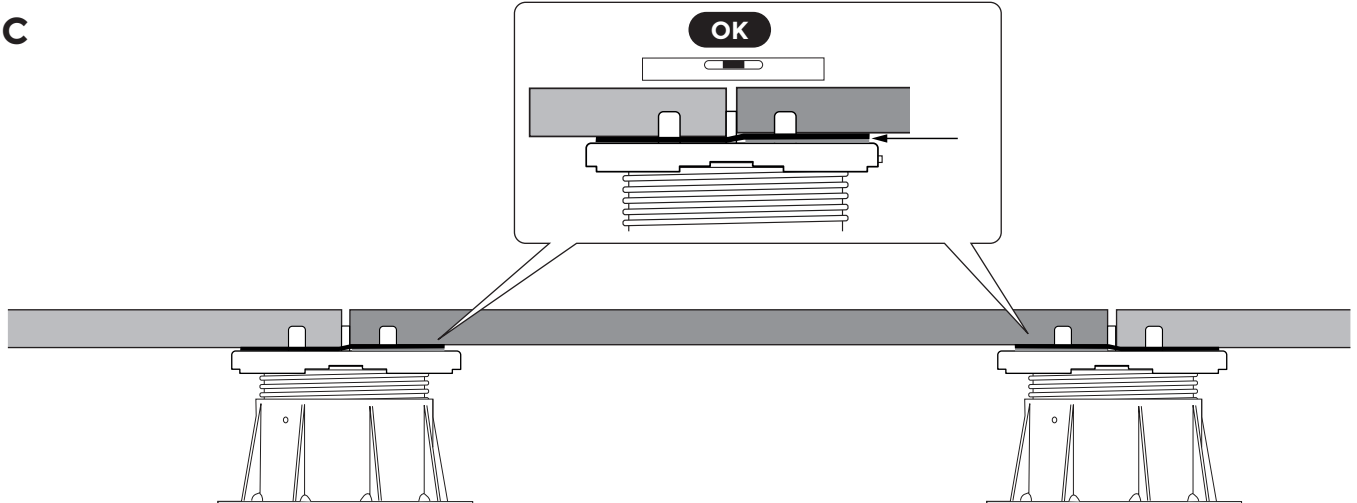
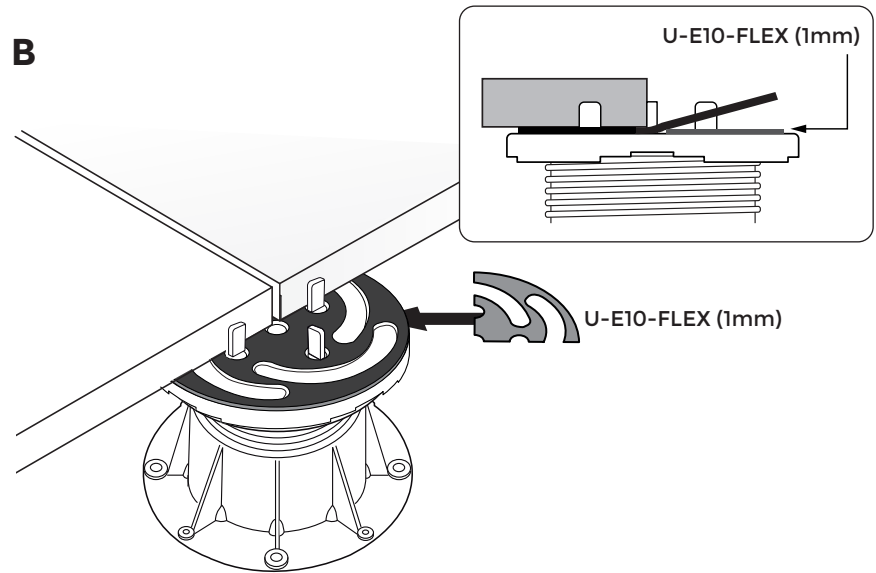
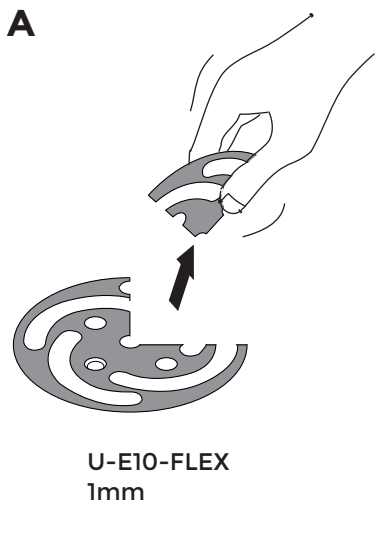
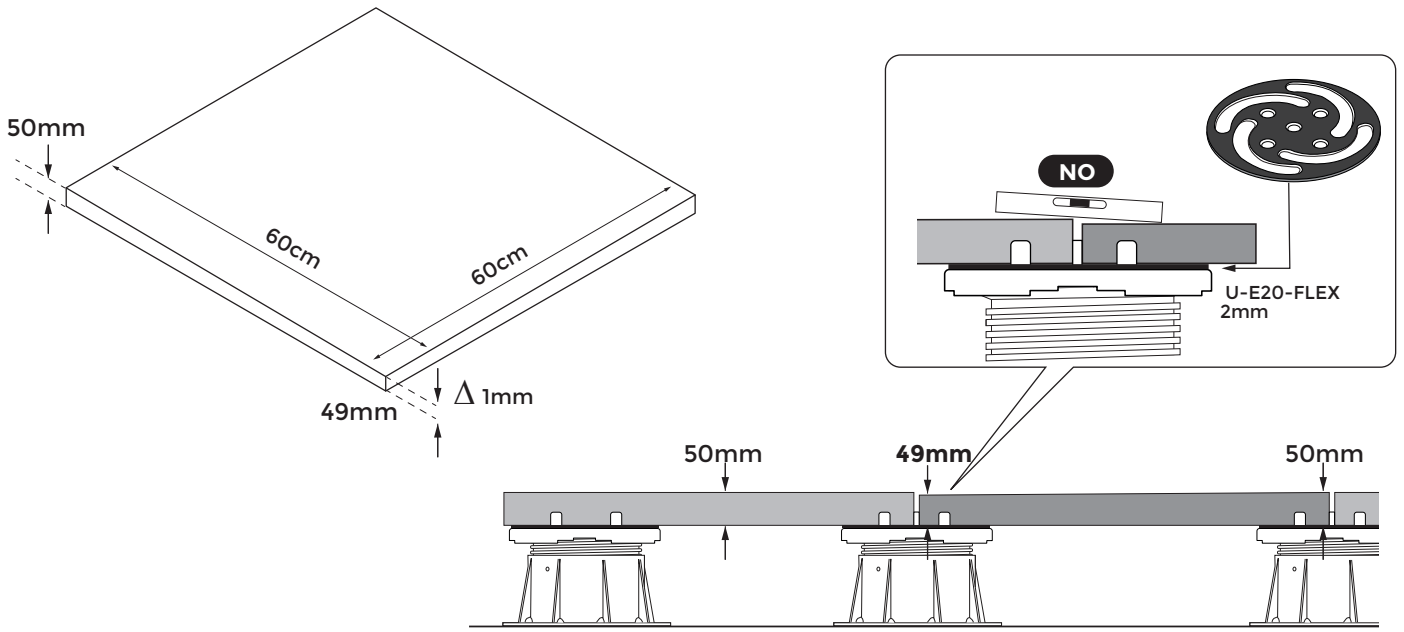
6 For proper installation of tiles, see: Starting up a slab terrace.

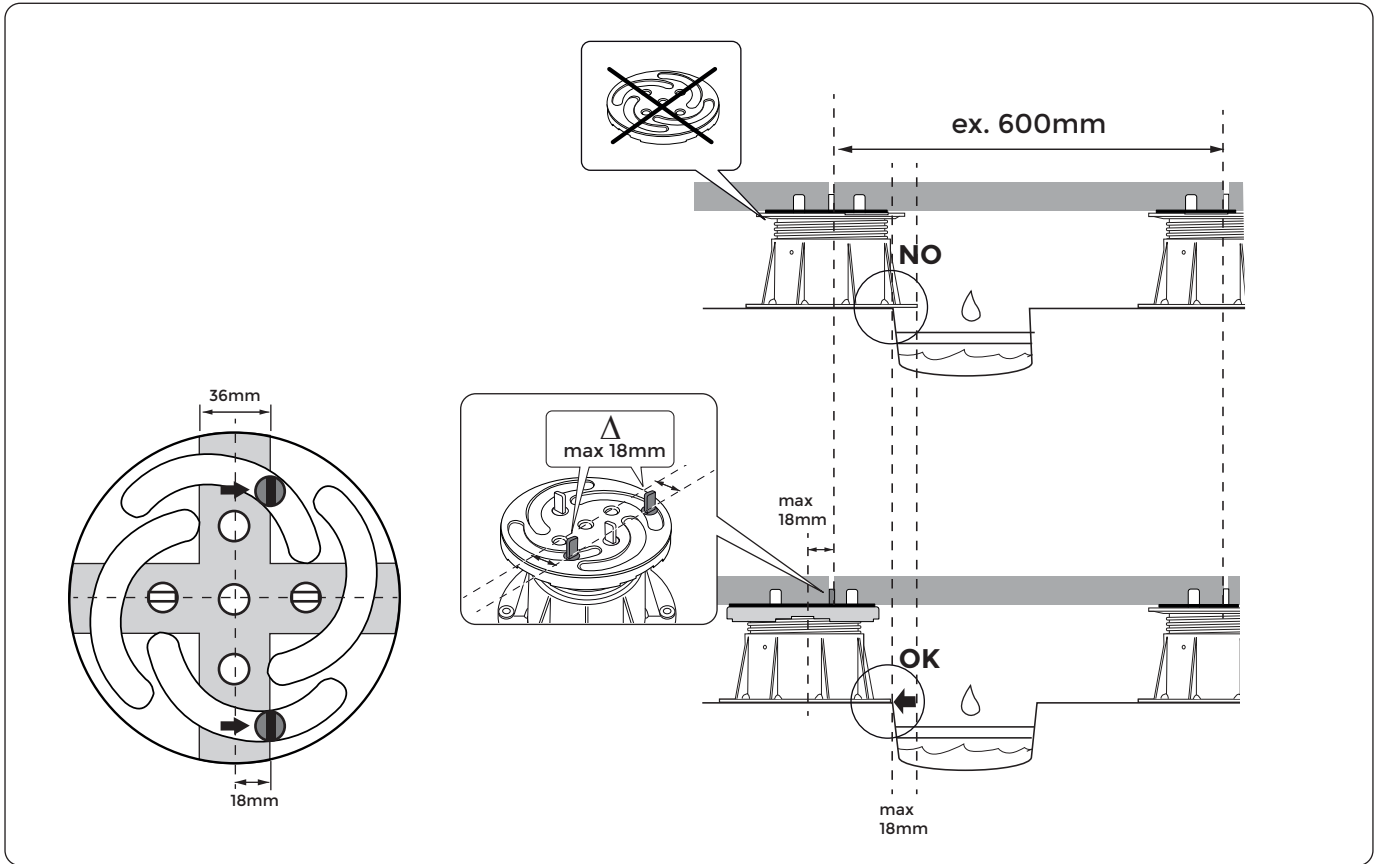


7







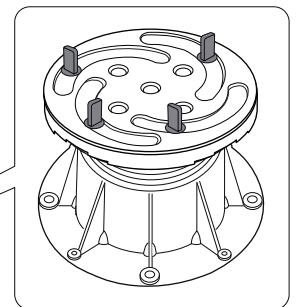
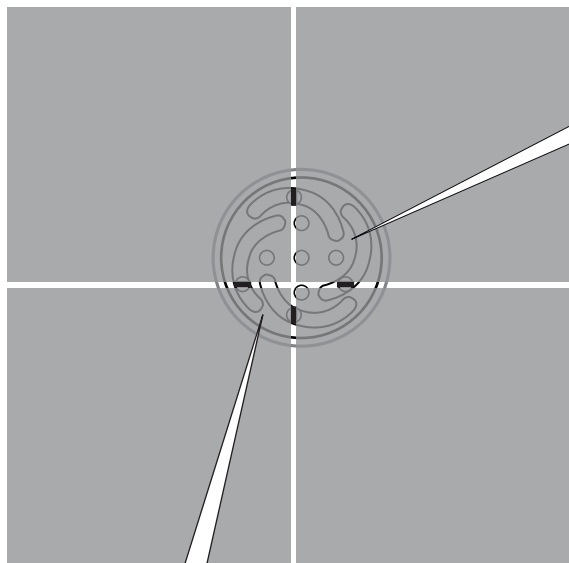
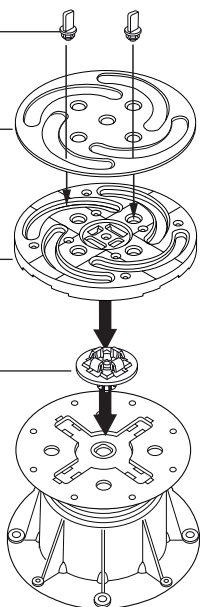


U-TABS

U-E10-FLEX

U-TOP-FLEX

PB-KIT-8

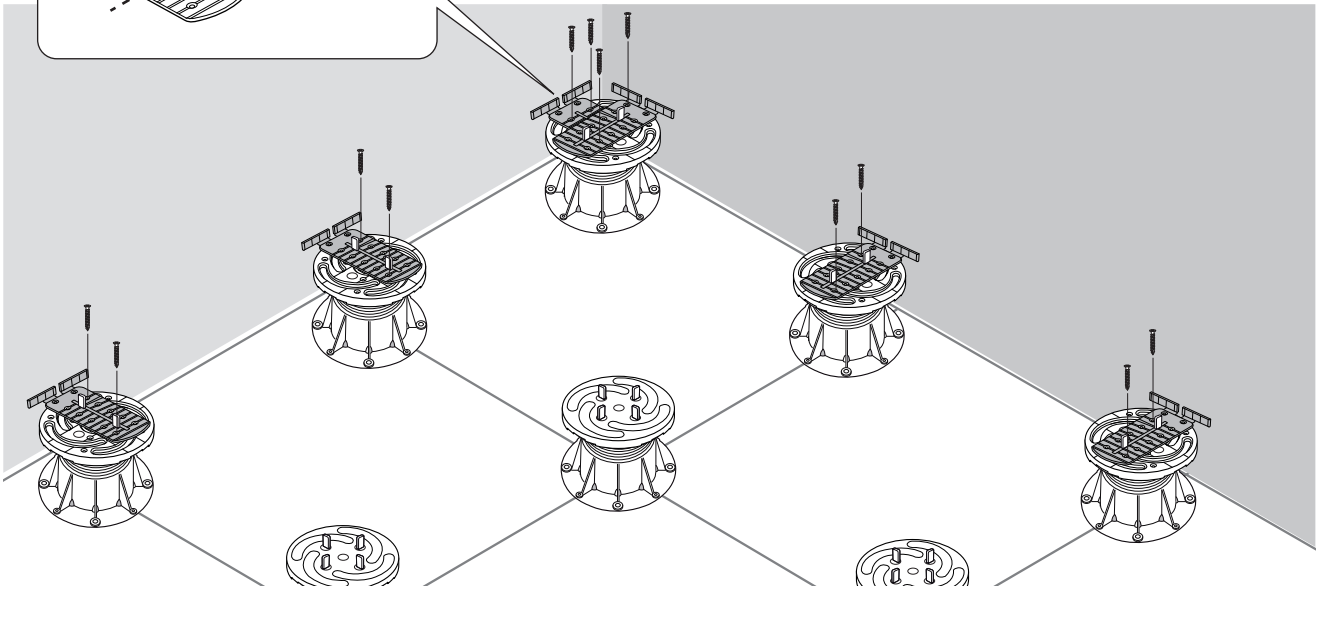
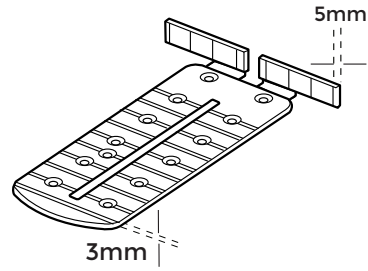
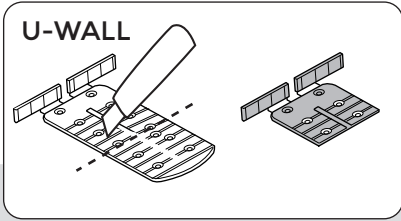


The minimum surface area of **U-TOP-FLEX** supporting the tile must be calculated for each type of application according to the **strength, thickness and quality of the tile.**

Buzon cannot be held responsible in case of breakage of the tile.

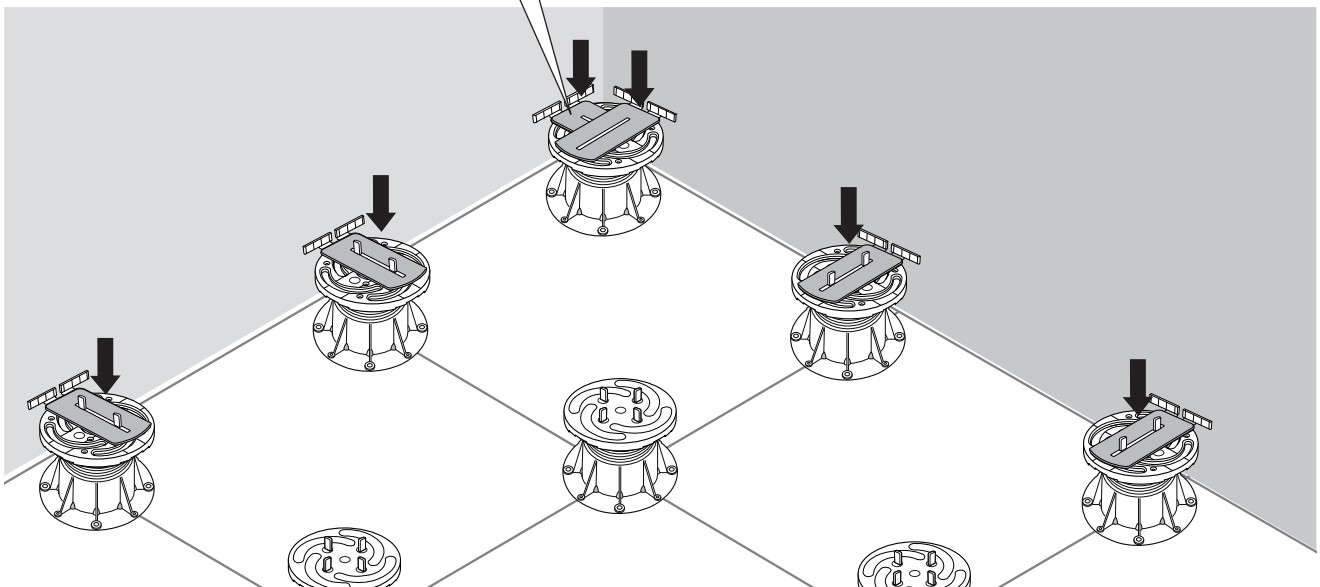
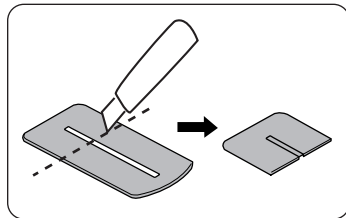
OPTION: U-WALL

1

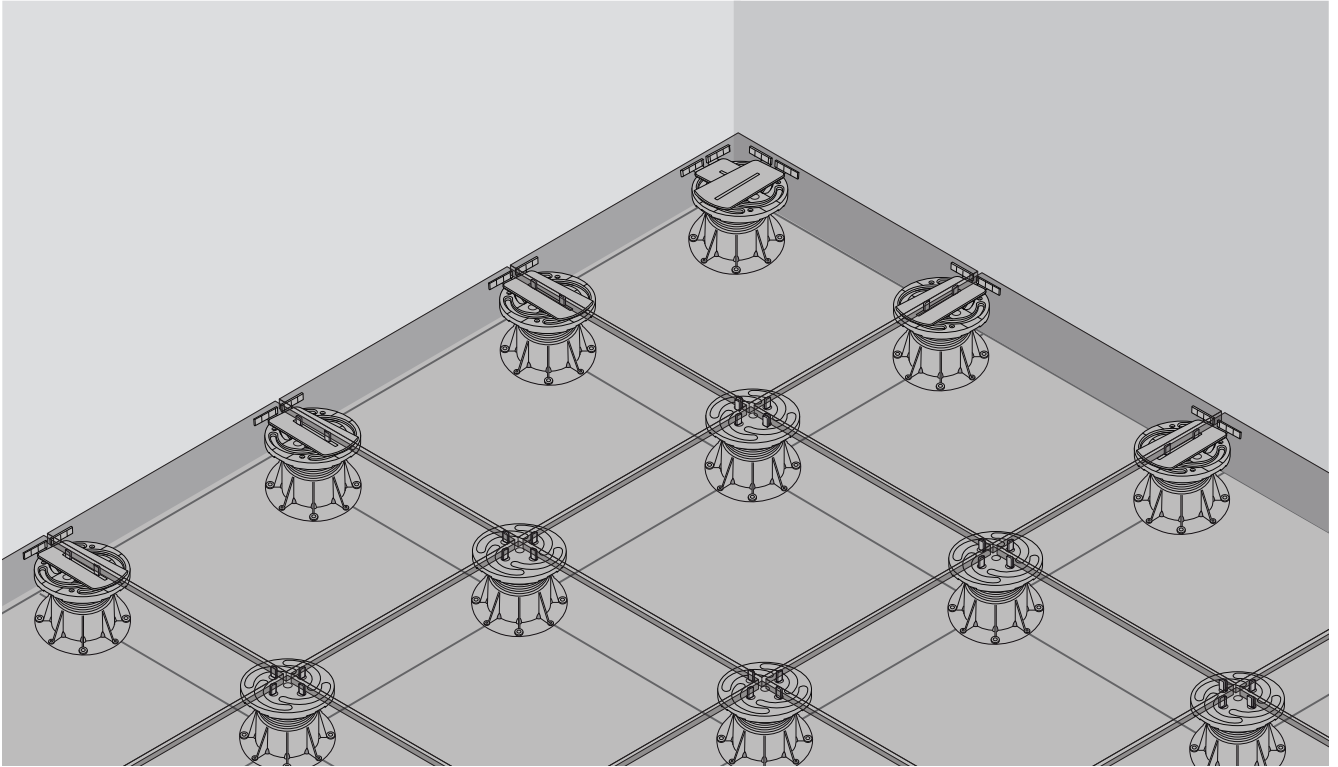


2

U-E20-WALL (2mm)

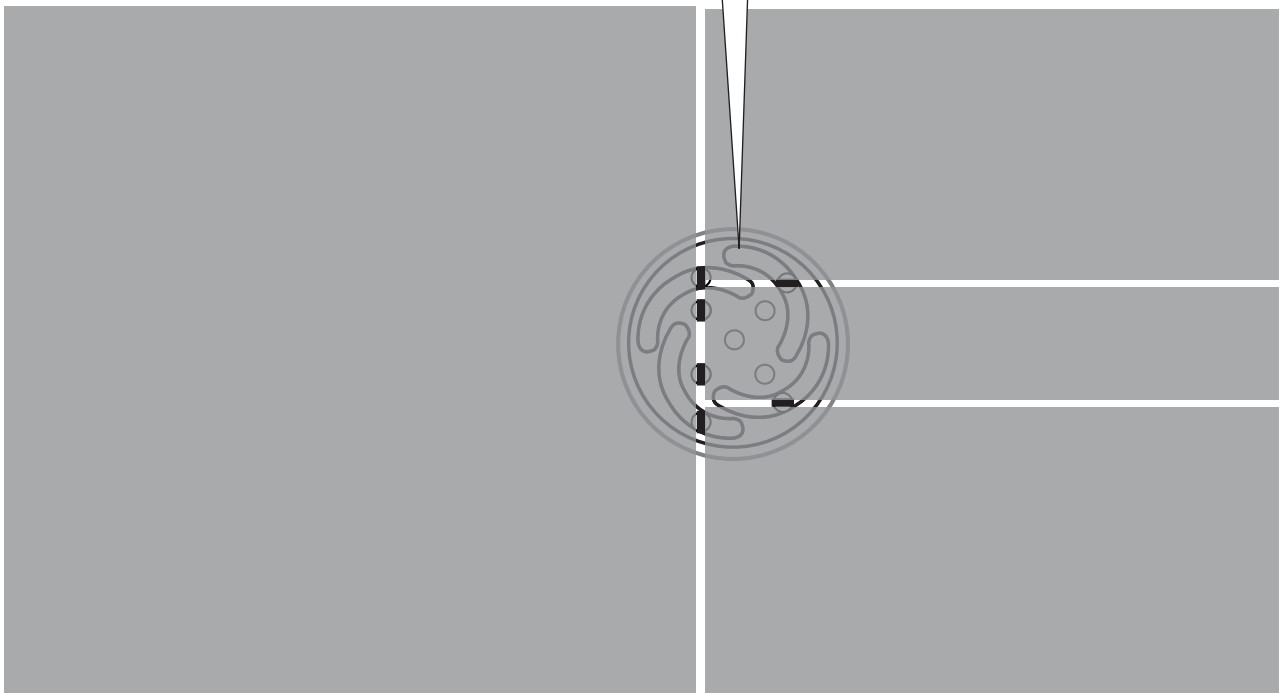


3



The minimum surface area of **U-TOP-FLEX** supporting the tile must be calculated for each type of application according to the **strength, thickness and quality of the tile.**

Buzon cannot be held responsible in case of breakage of the tile.





U-TOP-FLEX

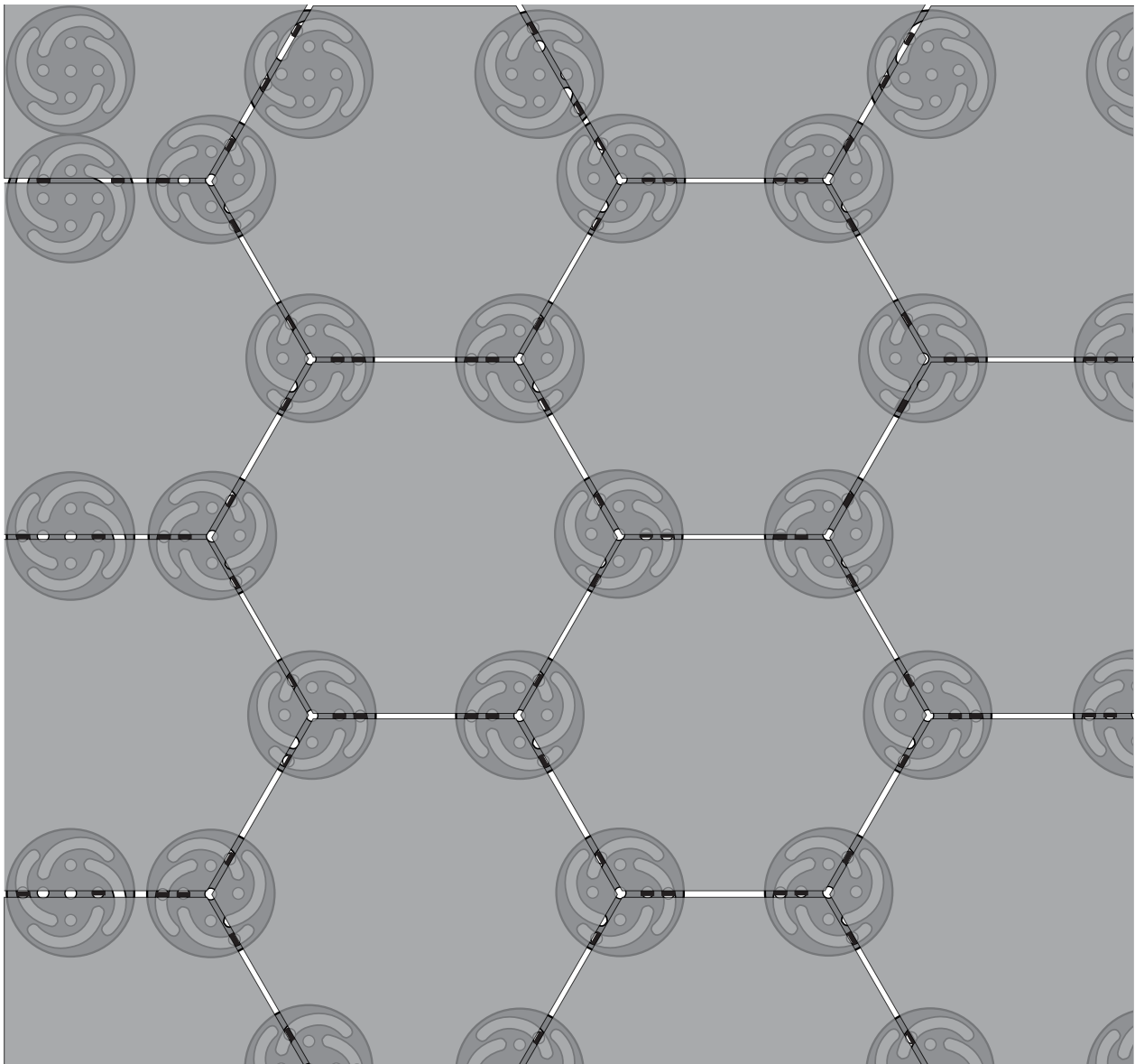
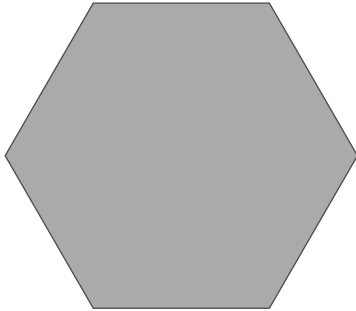
PB-Series

p.10

©copyright, 2020 BUZON PEDESTAL INTERNATIONAL



The minimum surface area of U-TOP-FLEX supporting the tile must be calculated for each type of application according to the strength, thickness and quality of the tile. Buzon cannot be held responsible in case of breakage of the tile.



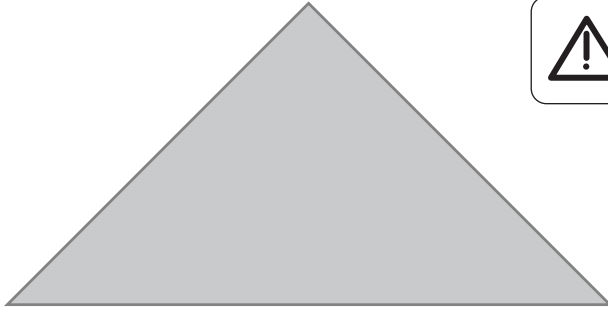


U-TOP-FLEX

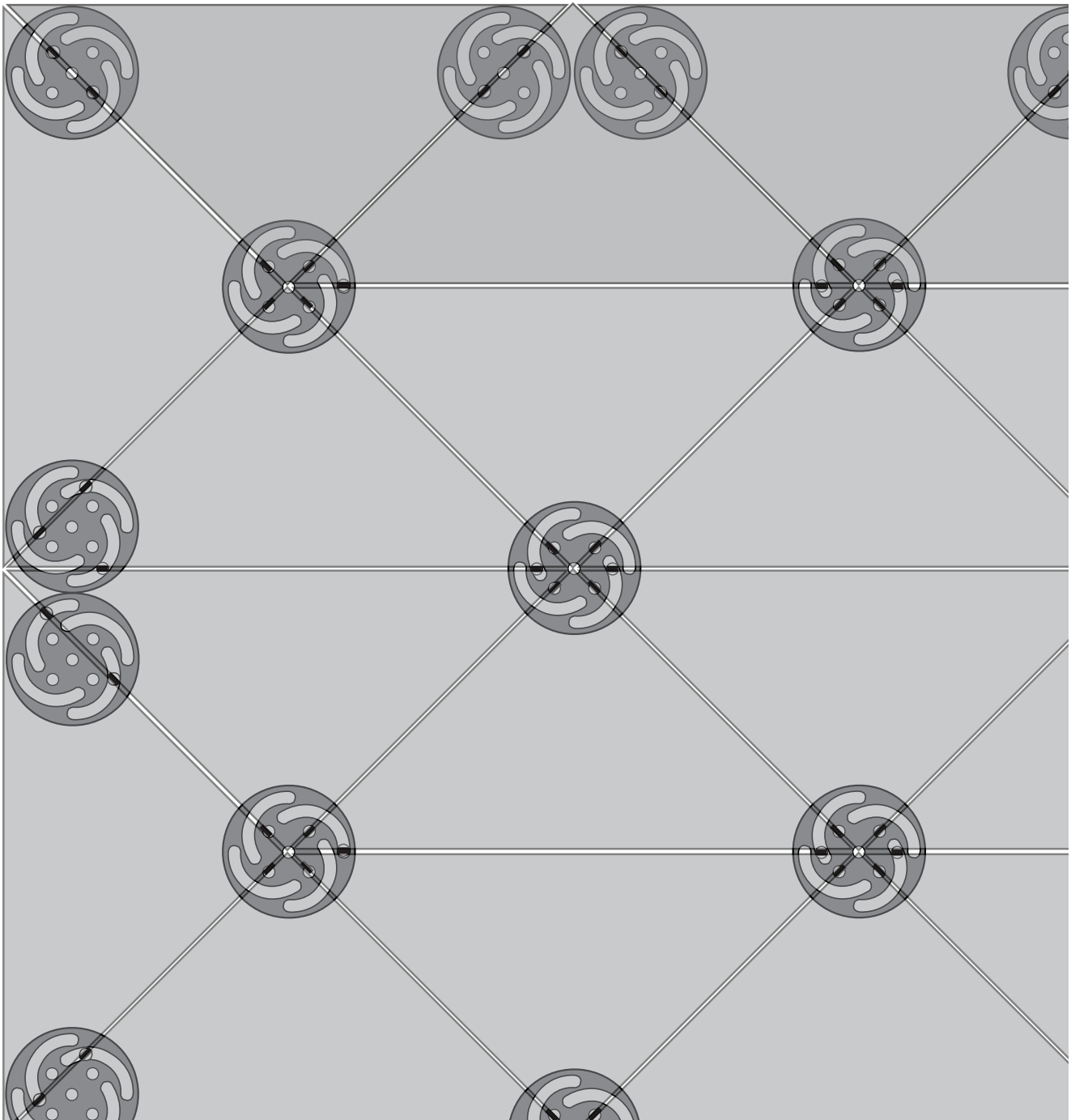
PB-Series

p.11

©copyright, 2020 BUZON PEDESTAL INTERNATIONAL



 The minimum surface area of U-TOP-FLEX supporting the tile must be calculated for each type of application according to the strength, thickness and quality of the tile. Buzon cannot be held responsible in case of breakage of the tile.





The minimum surface area of U-TOP-FLEX supporting the tile must be calculated for each type of application according to the strength, thickness and quality of the tile. Buzon cannot be held responsible in case of breakage of the tile.

